

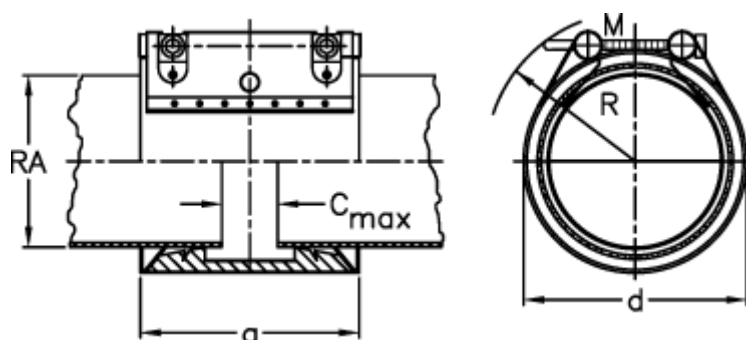
# Data Sheet



Article number: 025819360160

Description: Norma Connect pipe coupling  
PLAST GRIP PGL W5 Ø=160,0 EPDM, 16 bar

## Measures



a	= 115.0
C max with insertion band	= 35
d	= 190
M (screw)	= M12
Nominal pressure (bar)	= 16
R	= 210
RA	= 160.0
RA min-RA max plastic	= 158,0-162,0

Weight a piece = 3.7